

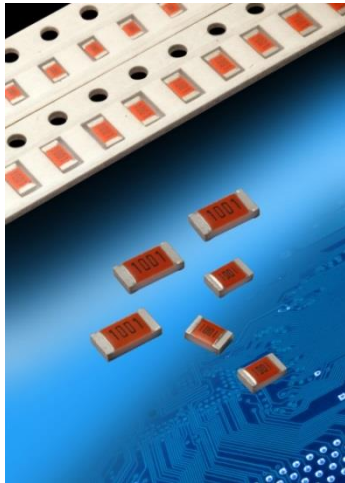
# Linear Thin Film PTC Resistors



KOA's SMD thin film thermosensitive resistors have a linear positive temperature coefficient and are perfect for temperature sensing, control and compensation.

The nickel based PTC thin film element on an alumina substrate ensures high stability over the entire temperature range.

## LT73 / LT73V



### ■ Features

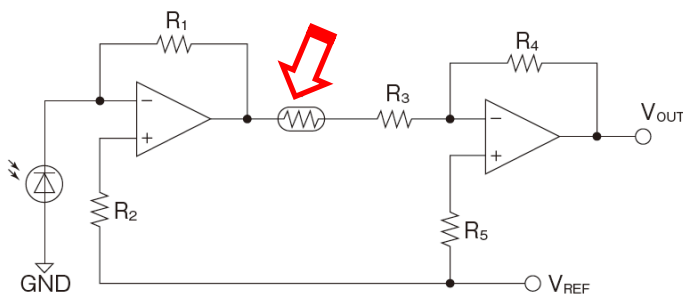
- 25 different T.C.R.'s from +150 to +4500 ppm/K available
- 0805 and 1206 chip sizes
- Resistance values 51  $\Omega$  to 51 k $\Omega$
- 2 % and 5 % resistance tolerance
- -55 °C to +155 °C temperature range (LT73V)
- Rated ambient temperature: +85 °C (LT73V)
- AEC-Q200 qualified (LT73V)

### ■ Applications

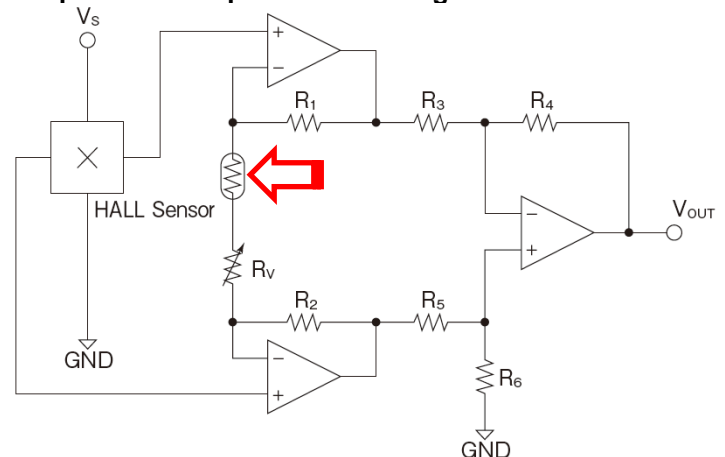
- Industrial and automotive temperature control
- Temperature compensation of current sensor, FET and semiconductor
- Temperature compensation for various kinds of electrical circuits and sensors

### ■ Application Examples

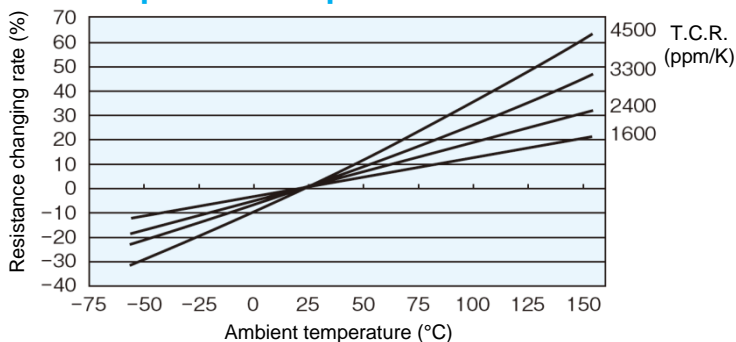
#### Temperature compensation of optical pickup unit



#### Temperature compensation of magnetic detection unit



### ■ Examples of Temperature Characteristics



### ■ Datasheets

LT73



LT73V



For more information, please contact:

KOA Europe GmbH, Kaddenbusch 6, D-25578 Dägeling-Itzehoe, Germany

Phone: +49 (0)4821 89890, E-Mail: [koa-europe@koaeurope.de](mailto:koa-europe@koaeurope.de), Internet: [www.koaeurope.de](http://www.koaeurope.de)