

Metal Plate Power Shunts 244A, 3920 & 2512 inch



For high current applications, KOA has now expanded its existing Power Shunt series by adding the PSJ2 and the PSL2. The PSJ2 (3920 inch) resistor can measure currents up to 244 A (200 $\mu\Omega$).

Constructed using a solid metal alloy resistance element with copper terminations the device provides superior corrosion and heat resistance and has excellent pulse resistance.

The PSJ2 and the PSL2 have a very low profile with a thickness of between 0.89 and 1.98 mm.

PSJ2, PSL2 Series



Product Features

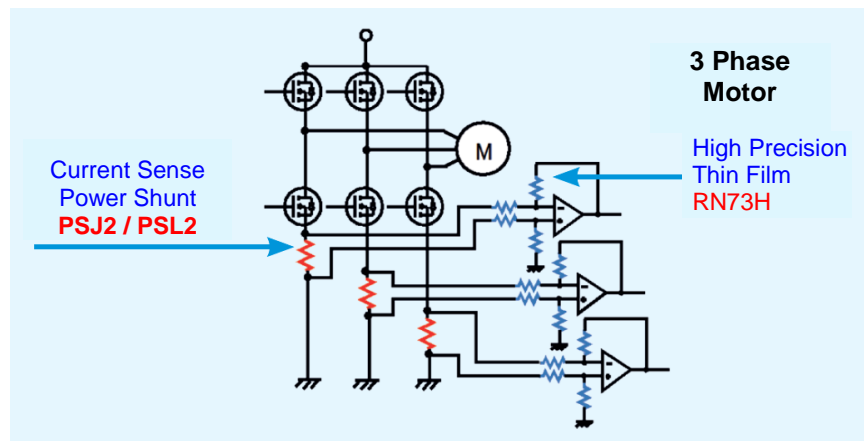
- PSJ2: 244 A - 0.2 m Ω to 54 A - 2 m Ω
- PSL2: 163 A - 0.3 m Ω and 126 A - 0.5 m Ω
- Sizes: 3920 (PSJ2) and 2512 inch (PSL2)
- 2 terminal configurations
- Ultra-low resistance, suitable for large current detection
- Excellent long-term stability and pulse withstanding performance
- Robust copper terminations
- EU-RoHS compliant
- AEC-Q200 qualified

Ratings

Type	Power Rating	T.C.R. ($\times 10^{-6}/K$)	Resistance Range (Ω)	Resistance Tolerance	Rated Terminal Part Temp.	Operating Temp. Range
PSJ2 3920	12W	± 200	0.2m NEW	F : $\pm 1\%$	75 $^{\circ}C$	-65~+175 $^{\circ}C$
	10W	± 100	0.5m			
	8W	± 75	1m			
	6W	± 75	2m Under Develop.			
NEW PSL2 2512	8W	± 175	0.3m	F : $\pm 1\%$	75 $^{\circ}C$	-65~+175 $^{\circ}C$
		± 115	0.5m			

Application Examples

- High current automotive applications (ECU, EPS, motor control, EV/HEV)
- DC/DC converter
- Inverter power supplies
- Frequency converters
- Intelligent power modules



For more information, please contact:

KOA Europe GmbH, Kaddenbusch 6, D-25578 Dägeling-Itzehoe, Germany

Phone: +49 (0)4821 89890, E-Mail: koa-europe@koaeurope.de, Internet: www.koaeurope.de